

◆ RCL-20X3

(3xDual Base/Medium Configuration)



Description

Syscom Korea, a leader in the market of pixel to pixel cabling solution, created Fiber Optics based Camera Link cable. Syscom Korea cabling solution will be a perfect choice for overcoming the problems of facility access, capital cost, distance, EMI, ESD and bandwidth. Camera Link is a high-speed camera/frame grabber interface designed for high performance vision applications. Standard Camera Links deliver signals to 3 meters or less, occurring inflexible situations in many applications which requires longer distance image transmission between the camera and the frame grabber.

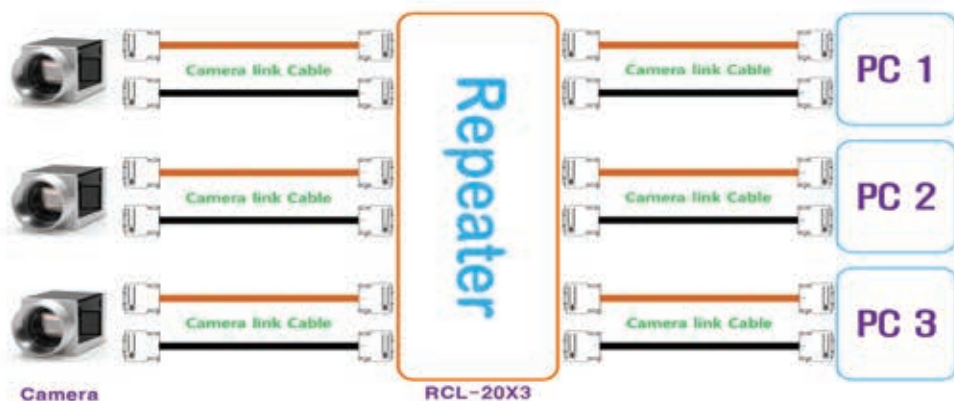
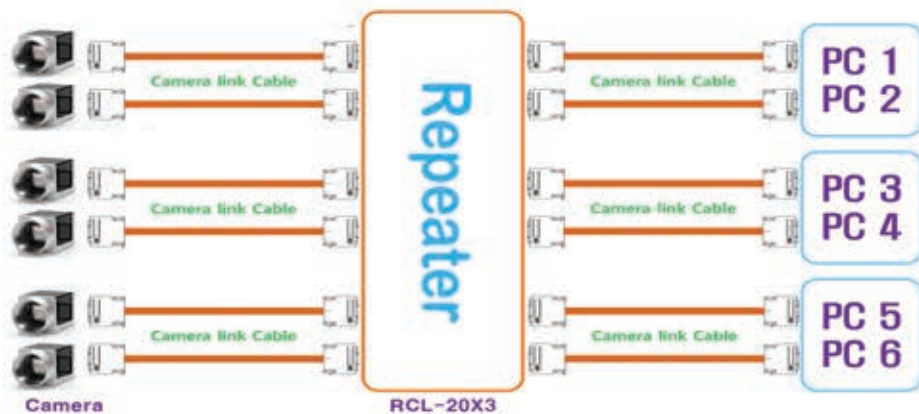
Key Features

- ◆ All of Camera-Link Interface Compliance (Area and Line Scan)
- ◆ PoCL Bypass
- ◆ Support 3xDual Base Medium Configuration
- ◆ Support Pixel clock from 20 - 85MHz
- ◆ Zero loss and transparent transport
- ◆ Locking DC power connector
- ◆ Attaches to the compact MDR26 connect

Applications

- ◆ Machine Vision Applications
- ◆ Product inspection - PCB, LCD, Wafer
- ◆ Bar code reading and sorting
- ◆ Medical Imaging
- ◆ Port/Harbor cargo container management
- ◆ Railroad measurement/inspection
- ◆ Cameras placed in harsh environment - Nuclear plant, Chemical plant, Factory
- ◆ Bridge inspection
- ◆ Military & Defense Applications
- ◆ Astronomy
- ◆ Computer microscopy
- ◆ Multi-media

Typical Set Up Diagram



Technical Specifications

Camera link Interface	
Product	RCL-20X3
Pixel Clock Range	20 ~ 85 [MHz]
Supported Camera Configuration	3x Dual Base, Medium Full (10Taps)
Sync. Signals	LVAL, FVAL, DVAL
Camera Control	CC1 ~ CC4
Serial Communication	SerTFG, SerTC
Connector Type	Camera Link (MDR)
Environments	
Operating Temperature	0 ~ 50 [°C]
Input Voltage	DC 12 ~ 24 [V]
Typical Supply Current @ 12V DC	100 [mA]
Connector Type	Molex 53259-0329 Male
Weight (Approximate)	630 Gram each module

Dimensions

